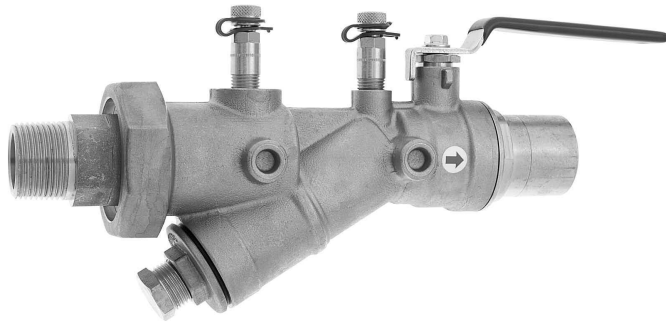


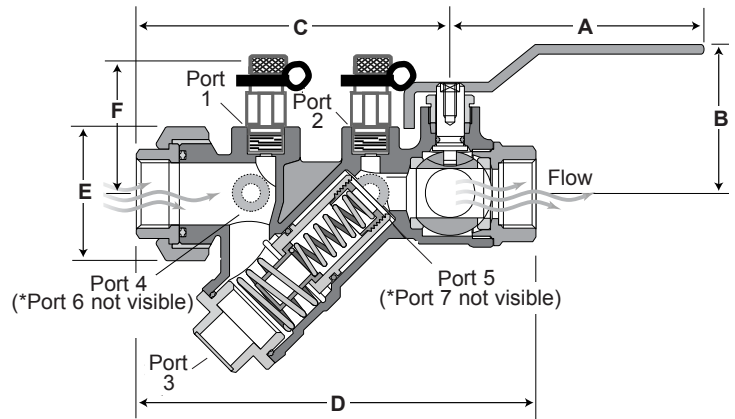


AC
Submittal
 Ball Valve, Flow Regulator and Union

Form No.: F172.12
 Date: 11.09
 Supersedes: F172.11 2.09



Model AC shown with standard Pressure / Temperature ports.



*Port 6 and 7 only available on AC0150 and AC0200

Product Information

Body: DZR Brass
Flow Cartridge: Series 300 Stainless Steel
 Wear Surfaces with Stainless Steel Spring
Accuracy: ±5%
Rating: 400 psig at 250° F (25 Bar at 120° C)

AutoFlow combination ball valve, AutoFlow regulator and union with up to seven (7) accessory port locations. Unit is factory set to automatically limit the flow rate to within 5% of the specified amount. The flow cartridge is removable from the valve body to provide access for flow rate changes, inspection, and cleaning without breaking the main piping. The ball valve has Teflon packing, brass packing nut and blowout-proof stem, large diameter plated ball and a full size steel handle with vinyl grip. The union has an EPDM "o"-ring and tailpiece available in M, F and S connections. Ball valve end is available only in FPT or SWT. Pressure / Temperature ports are standard.

Dimensions not to be used for construction unless prints certified by factory.

Dimensions

Model	Size in./ (mm)	A in./ (mm)	B in./ (mm)	C in./ (mm)	D in./ (mm)	E in./ (mm)	F in./ (mm)	Weight lb. (kg)	Cv / (Kv)	Maximum gpm (lps) Control Range psi (kPa)	
										2-32 (14-220)	5-60 (35-414)
AC0050	1/2 (15)	4.1 (103)	2.0 (52)	4.8 (122)	6.7 (169)	2.1 (53)	2.2 (55)	2.5 (1.13)	7.9 (6.8)	8 (0.50)	12 (0.76)
AC0075	3/4 (20)	4.1 (103)	2.0 (52)	4.9 (124)	6.7 (170)	2.1 (53)	2.2 (55)	2.5 (1.13)	8.8 (7.6)	8 (0.50)	12 (0.76)
AC0100R*	1 (25)	4.1 (103)	2.0 (52)	5.5 (140)	7.6 (192)	2.1 (53)	2.2 (55)	2.5 (1.13)	8.8 (7.6)	8 (0.50)	12 (0.76)
AC0100	1 (25)	4.7 (119)	2.7 (68)	6.6 (169)	9.5 (241)	2.8 (71)	2.3 (58)	6.2 (2.81)	19.7 (17.0)	19 (1.20)	27 (1.70)
AC0125	1 1/4 (32)	4.7 (119)	2.7 (68)	6.6 (169)	9.6 (245)	2.8 (71)	2.3 (58)	6.1 (2.77)	20.4 (17.6)	19 (1.20)	27 (1.70)
AC0150R*	1 1/2 (40)	4.7 (119)	2.7 (68)	7.9 (200)	10.7 (273)	2.8 (71)	2.3 (58)	6.8 (3.08)	20.4 (17.6)	19 (1.20)	27 (1.70)
AC0150	1 1/2 (40)	5.6 (141)	3.6 (93)	8.4 (212)	11.7 (297)	3.8 (97)	2.4 (61)	15.6 (7.08)	52.7 (45.6)	50 (3.15)	70 (4.42)
AC0200	2 (50)	5.6 (141)	3.6 (93)	8.5 (217)	12.0 (305)	3.8 (97)	2.4 (61)	15.4 (6.99)	55.1 (47.7)	50 (3.15)	70 (4.42)

Notes

Weight and dimension based on F X F connections and will vary with mixed options/connections.
 All weights and dimensions are subject to minor changes.
 Cv's based on the body only without flow regulator.
 + For pump head calculations, add the indicated pressure drop of 4.6 ft (14 kPa) for 2-32 (14-220) or 11.6 ft (35 kPa) for 5-60 (35-414) to calculated drops for other components
 * Denotes female thread not available on union end
 Available in ISO7 threads
 Port 6 and 7 only available on AC0150 and AC0200

Connections

Model	Size in./mm	S - sweat F - female NPT M - male NPT	
		Fixed Conn. (Outlet) in./mm	Union Conn. (Inlet) in./mm
AC0050	1/2" (15)	1/2" (15) S, F	3/8 (10) S 1/2 (15) F. M. S. 3/4 (20) M. S.
AC0075	3/4" (20)	3/4" (20) S, F	3/8 (10) S 1/2 (15) F. M. S. 3/4 (20) F. M. S.
AC0100R*	1" (25)	1" (25) S, F	1 (25) M. S.
AC0100	1" (25)	1" (25) S, F	1/2 (15) F. M. S. 3/4 (20) F. M. S. 1 (25) F. M. S. 1 1/4 (32) M. S.
AC0125	1 1/4" (32)	1 1/4" (32) S, F	1/2 (15) M. S. 3/4 (20) F. M. S. 1 (25) F. M. S.
AC0150R*	1 1/2" (40)	1 1/2" (40) S, F	1 1/4 (32) F. M. S. 1 1/2 (40) M. S.
AC0150	1 1/2" (40)	1 1/2" (40) S, F	1 (25) F. M. S. 1 1/4 (32) F. M. S. 1 1/2 (40) F. M. S. 2 (50) M. S.
AC0200	2" (50)	2" (50) S, F	1 1/4 (32) F. M. S. 1 1/2 (40) F. M. S. 2 (50) M. S.



AC

Submittal

Ball Valve, Flow Regulator and Union

Flow Rates

Size	psid Range	Flow Rate (gpm)
1/2" - 3/4"	2 - 32	0.33, 0.5, 0.67, 0.75, 0.88, 1.0, 1.1, 1.25, 1.5, 1.75, 2.0, 2.25, 2.5, 2.64, 3.0, 3.5, 4.0, 4.5, 5.0, 5.28, 6.0, 7.0, 8.0
	5 - 60	1.0, 1.5, 2.0, 2.5, 3.0, 4.0, 5.0, 6.0, 7.0, 8.0, 9.0, 10, 11, 12
1" - 1 1/4"	2 - 32	0.5, 0.67, 0.75, 0.88, 1.0, 1.1, 1.25, 1.5, 1.75, 2.0, 2.25, 2.5, 2.64, 3.0, 3.5, 4.0, 4.5, 5.0, 5.28, 6.0, 7.0, 8.0, 9.0, 10, 11, 12, 13, 14, 15, 16, 17, 18, 19
	5 - 60	1.0, 1.5, 2.0, 2.5, 3.0, 4.0, 5.0, 6.0, 7.0, 8.0, 9.0, 10, 11, 12, 13, 14, 15, 16, 17, 18, 19, 20, 21, 22, 23, 24, 25, 26, 27
1 1/2" - 2"	2 - 32	5.0, 6.0, 7.0, 8.0, 9.0, 10, 11, 12, 13, 14, 15, 16, 17, 18, 19, 20, 22, 24, 26, 28, 30, 32, 34, 36, 38, 40, 42, 44, 46, 48, 50
	5 - 60	8.0, 9.0, 10, 11, 12, 13, 14, 15, 16, 17, 18, 19, 20, 21, 22, 23, 24, 25, 26, 27, 28, 30, 32, 34, 36, 38, 40, 42, 44, 46, 48, 50, 52, 54, 56, 58, 60, 62, 64, 68, 70

Size	kPa Range	Flow Rate (lps)
15 - 20 mm	14 - 220	0.021, 0.032, 0.042, 0.047, 0.056, 0.063, 0.069, 0.079, 0.095, 0.110, 0.126, 0.142, 0.158, 0.167, 0.189, 0.221, 0.252, 0.284, 0.315, 0.333, 0.379, 0.442, 0.505
	35 - 414	0.063, 0.095, 0.126, 0.158, 0.189, 0.252, 0.315, 0.379, 0.442, 0.505, 0.568, 0.631, 0.694, 0.757
25 - 32 mm	14 - 220	0.032, 0.042, 0.047, 0.056, 0.063, 0.069, 0.079, 0.095, 0.110, 0.126, 0.142, 0.158, 0.167, 0.189, 0.221, 0.252, 0.284, 0.315, 0.333, 0.379, 0.442, 0.505, 0.568, 0.631, 0.694, 0.757, 0.820, 0.883, 0.946, 1.009, 1.073, 1.136, 1.199
	35-414	0.063, 0.095, 0.126, 0.158, 0.189, 0.252, 0.315, 0.379, 0.442, 0.505, 0.568, 0.631, 0.694, 0.757, 0.820, 0.883, 0.946, 1.009, 1.073, 1.136, 1.199, 1.262, 1.325, 1.388, 1.451, 1.514, 1.577, 1.640, 1.703
40 - 50 mm	14 - 220	0.315, 0.379, 0.442, 0.505, 0.568, 0.631, 0.694, 0.757, 0.820, 0.883, 0.946, 1.009, 1.073, 1.136, 1.199, 1.262, 1.388, 1.514, 1.640, 1.767, 1.893, 2.019, 2.145, 2.271, 2.397, 2.524, 2.650, 2.776, 2.902, 3.028, 3.155
	35-414	0.505, 0.568, 0.631, 0.694, 0.757, 0.820, 0.883, 0.946, 1.009, 1.073, 1.136, 1.199, 1.262, 1.325, 1.388, 1.451, 1.514, 1.577, 1.640, 1.703, 1.767, 1.893, 2.019, 2.145, 2.271, 2.397, 2.524, 2.650, 2.776, 2.902, 3.028, 3.155, 3.281, 3.407, 3.533, 3.659, 3.785, 3.912, 4.038, 4.290, 4.416

Model Order Designation

Model / Size
1" Low Flow AC Shown

Options w/ Locations
Use for options that require specified locations.
Dual P/T's in Ports 2 & 4 and Air Vent in Port 1 Shown

GPM
12 GPM Shown

AC0100 - S / 3/4S - DP2&4, AV1 - MI - 12

Connections
Ball valve end first. See specifications for available connections.
Female Sweat X 3/4" Reduced Female Sweat Shown

Options
Use for options that have specific locations.
Metal ID Tag Shown

** Ball valve end available FPT & SWT

Options Available

AV Manual Air Vent
EH Extended Handle
HN Hose End Drain

PI Plastic ID Tag
PL Plug
SE Stem Extender

T4 1/4" F Tap
DX Ext. P/T Ports

Various convenience fitting are available