



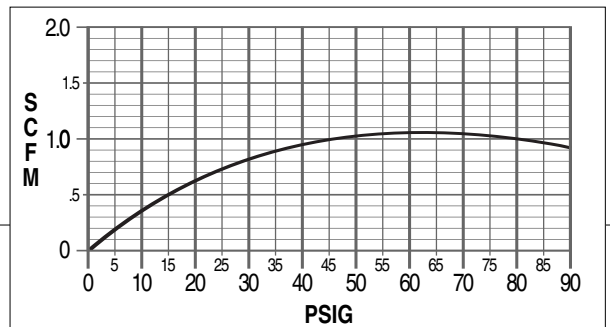
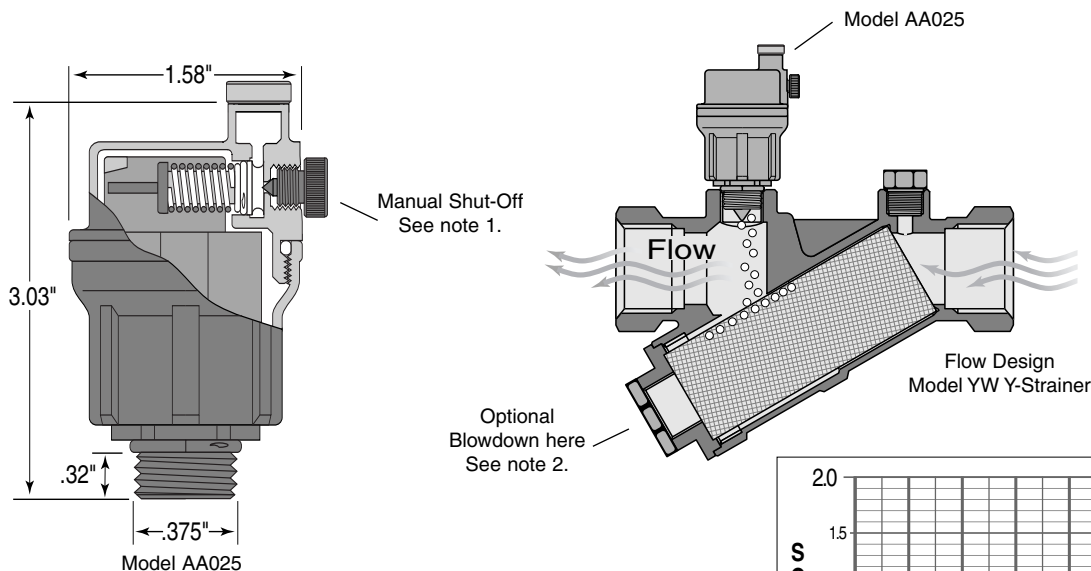
Product Information

Maximum Operating Pressure:	150 psi
Maximum Operating Temperature:	240°F
Body Material:	Brass
Connection:	1/4" MPT
Float Material:	Polypropylene
Cap Material:	Nylon

The Model AA025 automatic air vent is designed for continuous air venting in hot and chilled water systems. When used to protect coils, it is best located on the supply side of the coil to prevent air from entering the coil and requiring a service call to vent the air. The unit is best located where pipe velocities are reduced. An ideal location is directly in the body of a Y-strainer. The strainer screen breaks and collects bubbles which are vented by the automatic air vent.

Dimensions not to be used for construction unless prints certified by factory.

Nominal Dimensions / Application



Notes

1. For continuous air venting cap should remain open one full turn.
2. The Y-strainer should always be equipped with a blowdown valve.
3. Dimensions not to be used for construction unless prints certified by factory.