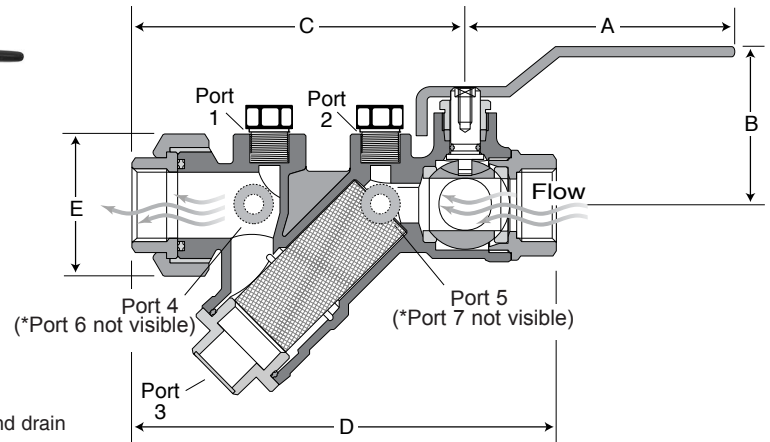


Model YC Shown with optional Pressure / Temperature port and Hose End drain



*Port 6 and 7 only available on YC0150 and YC0200

Product Information

Body: DZR Brass
Strainer: 20 Mesh Stainless Steel
Rating: 400 psig at 250° F (25 Bar at 120° C)

Combination ball valve, wye strainer and union with up to seven (7) accessory port locations. 20 mesh stainless steel strainer is removable from the valve body for inspection and cleaning without breaking the main piping. The ball valve has Teflon packing, brass packing nut and blowout-proof stem, large diameter plated ball and a full size steel handle with vinyl grip. The union has a EPDM "o"-ring and tailpiece available in M, F, and S connections. Ball valve end only available in FPT or SWT. One size reduction available for union section. Port 1 available with maximum 1/2" tap for bypass line (option T2).

Dimensions not to be used for construction unless prints certified by factory.

Dimensions

Model	Size in./ (mm)	A in./ (mm)	B in./ (mm)	C in./ (mm)	D in./ (mm)	E in./ (mm)	Weight lb. (kg)	Cv / (Kv)
YC0050	1/2 (15)	4.1 (103)	2.0 (52)	4.8 (122)	6.7 (169)	2.1 (53)	2.3 (1.05)	7.9 (6.8)
YC0075	3/4 (20)	4.1 (103)	2.0 (52)	4.9 (124)	6.7 (170)	2.1 (53)	2.3 (1.06)	8.8 (7.6)
YC0100R*	1 (25)	4.1 (103)	2.0 (52)	5.5 (140)	7.6 (192)	2.1 (53)	2.3 (1.06)	8.8 (7.6)
YC0100	1 (25)	4.7 (119)	2.7 (68)	6.6 (169)	9.5 (241)	2.8 (71)	5.9 (2.66)	19.7 (17.0)
YC0125	1 1/4 (32)	4.7 (119)	2.7 (68)	6.6 (169)	9.6 (245)	2.8 (71)	5.8 (2.64)	20.4 (17.6)
YC0150R*	1 1/2 (40)	4.7 (119)	2.7 (68)	7.9 (200)	10.7 (273)	2.8 (71)	6.4 (2.93)	20.4 (17.6)
YC0150	1 1/2 (40)	5.6 (141)	3.6 (93)	8.4 (212)	11.7 (297)	3.8 (97)	14.8 (6.72)	52.7 (45.6)
YC0200	2 (50)	5.6 (141)	3.6 (93)	8.5 (217)	12.0 (305)	3.8 (97)	14.6 (6.63)	55.1 (47.7)

Notes

Weights based on F X F connections and will vary with mixed options/connections.
 Weights and dimensions are subject to minor changes.
 Cv's based on the body only
 * Denotes female thread not available on union end
 Port 6 and 7 only available on YC0150 and YC0200
 See operation manual for Installation and Maintenance F033

Connections

Model	Size in./mm	Fixed Conn. (Inlet) in./mm	Union Conn. (Outlet) in./mm
YC0050	1/2" (15)	1/2" (15) S, F	3/8 (10) S
			1/2 (15) F. M. S.
			3/4 (20) M. S.
YC0075	3/4" (20)	3/4" (20) S, F	3/8 (10) S
			1/2 (15) F. M. S.
			3/4 (20) F. M. S.
YC0100R*	1" (25)	1" (25) S, F	1 (25) M. S.
			1/2 (15) F. M. S.
			3/4 (20) F. M. S.
YC0100	1" (25)	1" (25) S, F	1 (25) F. M. S.
			1 1/4 (32) M. S.
			1/2 (15) M. S.
			3/4 (20) F. M. S.
YC0125	1 1/4" (32)	1 1/4" (32) S, F	1 (25) F. M. S.
			1 1/4 (32) F. M. S.
			1 1/2 (40) M. S.
YC0150R*	1 1/2" (40)	1 1/2" (40) S, F	1 1/4 (32) F. M. S.
			1 1/2 (40) F. M. S.
			2 (50) M. S.
YC0150	1 1/2" (40)	1 1/2" (40) S, F	1 (25) F. M. S.
			1 1/4 (32) F. M. S.
			1 1/2 (40) F. M. S.
			2 (50) M. S.
YC0200	2" (50)	2" (50) S, F	1 1/4 (32) F. M. S.
			1 1/2 (40) F. M. S.
			2 (50) F. M. S.
			2 (50) F. M. S.

S = sweat F = female NPT M = male NPT

Model Order Designation

Model / Size

1" YC Shown

Options w/ Locations

Use for options that require specified locations.

Air Vent in Port 1 and Hose End Drain in Port 3 Shown

YC0100 - FS / 3/4S - AV1, HN3 - EH

Connections

Ball valve end first. See specifications for available connections.

Female Sweat X 3/4" Reduced Female Sweat Shown

Options

Use for options that have specific locations.

Extended Handle Shown

Options Available

AA Automatic Air Vent

AV Manual Air Vent

EH Extended Handle

HN Hose End Drain Valve with Cap

MH Micro Handle 1/2 & 3/4 only

PI Plastic ID Tag

PL Plug

SE Stem Extender

T2 1/2" F Tap

T4 1/4" F Tap

XL Ext. P/T Port

Various convenience fitting are available