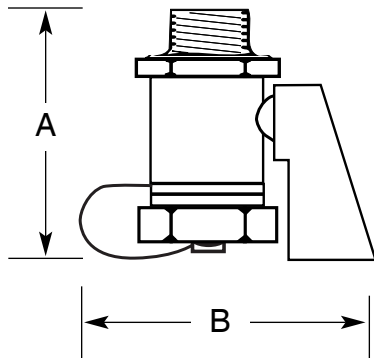
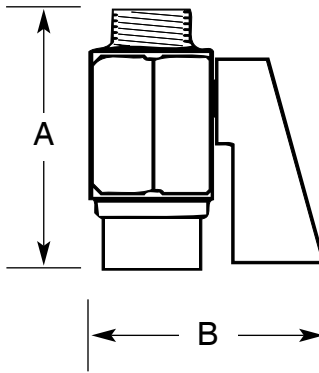
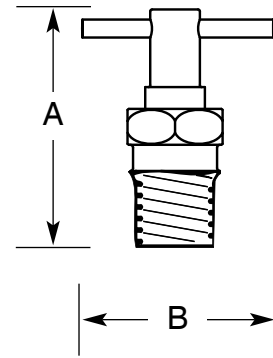


Model HN
(with Cap & Retainer Strap)


Model MB



Model AV


Product Information – Models HN, MB and AV

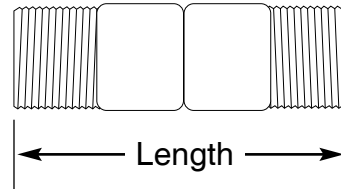
Model HN Hose End Drain Valve
Body Forged Brass 3/4" hose connections
Rating 400 psi at 250°F
Handle Plated

Model MB Mini-Ball Drain Valve
Body Brass
Rating 400 psi at 275°F
Handle Plastic

Model AV Air Vent
Body Brass
Rating 400 psi at 250°F

Description:

The vent valve has a stainless steel pin operator, an o-ring style primary seal with a metal blowout proof back up seal and a side discharge port. Each valve is factory tested 100 psi air under water.

Product Information – Model DN


Model DN Dielectric Nipple
Body Schyo A-53 Steel ZN Plated
Rating 300 PSI at 225°F

Description:

A dielectric water way preventing galvanic corrosion that normally occurs between dissimilar metals in the presence of water.

The Model DN nipple:

- Allows six times less current than an insulated dielectric union
- Eliminates stray current corrosion
- Is lab tested and field proven

Dimensions not to be used for construction unless prints certified by factory.

Nominal Dimensions & Weights – HN, MB, AV

Model	Size	A	B	Weight
HN0025	1/4"	2.1	1.9	.25
HN0050	1/2"	2.1	1.9	.25
MB	1/4"	1.9	1.4	.17
AV0025	1/4"	1.00	1.00	0.08

Notes

Hose end adapter available for Model BB.

All weights and dimensions given are in pounds and inches and are subject to minor changes.

Dimensions not to be used for construction unless prints certified by factory.

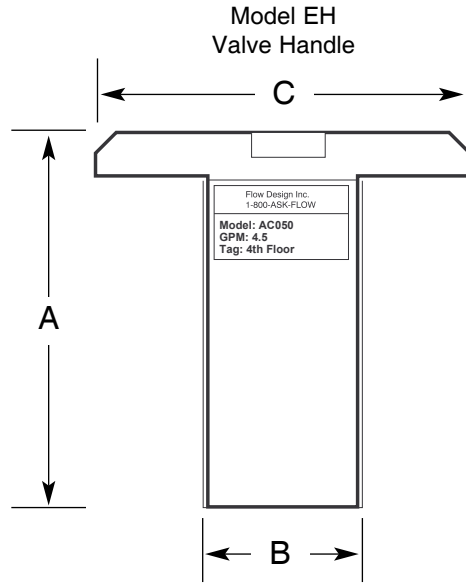
Nominal Dimensions & Weights – Model DN

Model	Size	Length	Weight
DN0050	1/2"	3	0.2
DN0075	3/4"	3	0.2
DN0100	1"	3	0.3
DN0125	1 1/4"	4	0.3
DN0150	1 1/2"	4	0.8
DN0200	2"	4	1.0
DN0250	2 1/2"	6	1.6

Notes

Dimensions based on MPT x MPT connections and will vary with mixed connections.

All weights and dimensions given are in pounds and inches and are subject to minor changes.



Product Information – Models EH

Model EH Valve Handle
Handle Reinforced Lexan®

Description:

Valve Handle protrudes through the pipe insulation for easy access, yet prevents condensation on the outer surface. It provides easy operation with up to 2" of pipe insulation. This reinforced Lexan® fire-rated tee handle:

- Has a stationary vapor sleeve that prevents water vapor from entering down into the pipe insulation. The insulation is glued to the sleeve.
- Shows the valve operating position at a glance.
- Has a removable cap that provides access to an adjustable memory stop.
- Provides access to the packing nut without removing the insulation
- Has a tag with model, GPM, etc. always visible above the insulation.

Dimensions not to be used for construction unless prints certified by factory.

Nominal Dimensions & Weights – Model DN				
Model	Size	A	B	C
EH	1/2" - 3/4"	3.0	1.2	3.0
EH	1" - 1/4"	3.25	1.5	4.2
EH	1 1/2" - 2"	3.5	2.0	5.2

Disclaimer: The products, texts, photographs, graphics and diagrams in this submittal may be subject to alteration by Flow Design Inc. without prior notice or reason being given.