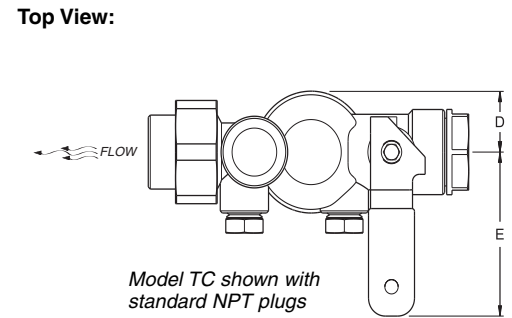
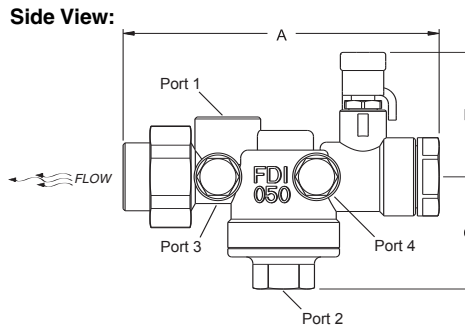




Model TC shown with optional Model HN Hose-end drain valve



Model TC shown with standard NPT plugs

Product Information

Body: DZR Brass
Flow Cartridge: 20 Mesh Stainless Steel
Rating: 400 psig at 250° F (25 Bar at 120° C)

Compact, T-shaped combination ball valve, strainer and union with four accessory port locations. 20 mesh stainless steel strainer is removable from the valve body for inspection and cleaning without breaking the main piping. The ball valve has Teflon packing, brass packing nut and blowout-proof stem, large diameter plated ball and a full size steel handle with vinyl grip. Port 1 available with maximum 1/2" tap for bypass line (option T2).

Dimensions not to be used for construction unless prints certified by factory.

Dimensions

Model	Size in./ (mm)	A in./ (mm)	B in./ (mm)	C in./ (mm)	D in./ (mm)	E in./ (mm)	Weight lb. (kg)	Cv / (Kv)
TC0050	1/2 (15)	3.7 (94)	2.0 (51)	1.8 (46)	0.9 (23)	2.4 (61)	1.6 (.73)	4.1 / (4.7)
TC0075	3/4 (20)	4.2 (107)	2.0 (51)	1.8 (46)	0.9 (23)	2.4 (61)	1.8 (.82)	4.1 / (4.7)

Notes

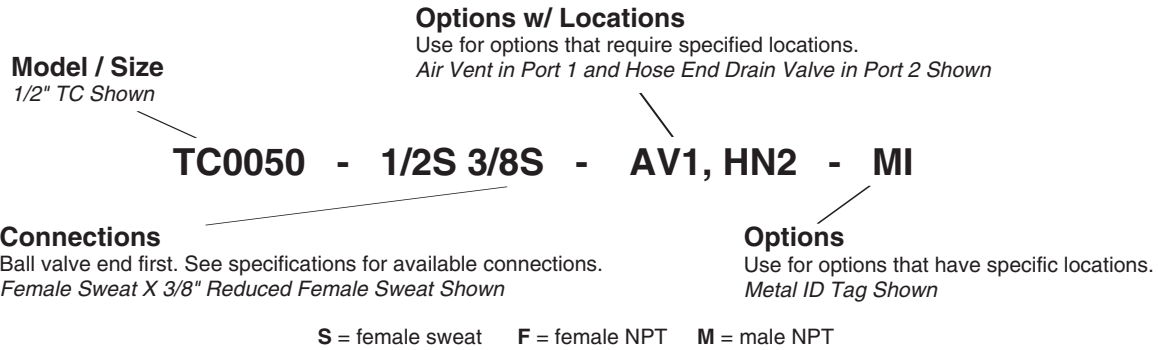
Weights based on F X F connections and will vary with mixed options/connections.
All weights based on valves with NPT plugs. Weights and dimensions are subject to minor changes.
Cv's based on a clean 20 mesh stainless steel strainer.
3/4" FPT available only with adapter (Union side)

Connections

Model	Size	Fixed Connections (Inlet)	Union Connections (Outlet)
TC0050	1/2" (15)	1/2" (15) S, F	3/8" (10) S 1/2" (15) S, F, M
TC0075	3/4" (20)	3/4" (20) S, F	3/4" S, M

S = female sweat F = female NPT M = male NPT

Model Order Designation



Options Available

AA Automatic Air Vent
AV Manual Air Vent
EH Extended Handle

HN Hose End Drain
PI Plastic ID Tag
PL Plug

SE Stem Extender
SN Standard Nipple
T2 1/2" Tap

XL One Extended P/T Port
Various convenience fittings are available