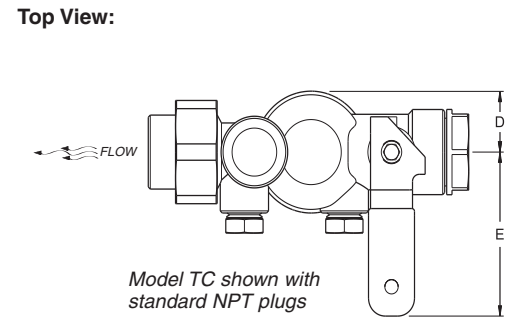
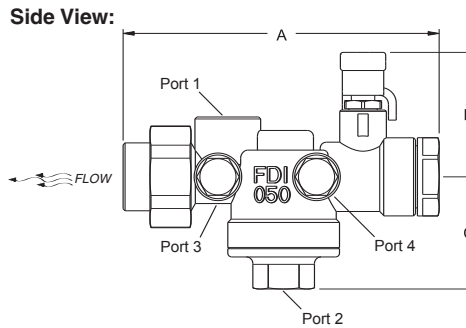




Model TC shown with optional Model HN Hose-end drain valve



**Product Information**

**Body:** DZR Brass  
**Flow Cartridge:** 20 Mesh Stainless Steel  
**Rating:** 400 psig at 250° F (25 Bar at 120° C)

Compact, T-shaped combination ball valve, strainer and union with four accessory port locations. 20 mesh stainless steel strainer is removable from the valve body for inspection and cleaning without breaking the main piping. The ball valve has Teflon packing, brass packing nut and blowout-proof stem, large diameter plated ball and a full size steel handle with vinyl grip. Port 1 available with maximum 1/2" tap for bypass line (option T2).

*Dimensions not to be used for construction unless prints certified by factory.*

**Dimensions**

Model	Size in./ (mm)	A in./ (mm)	B in./ (mm)	C in./ (mm)	D in./ (mm)	E in./ (mm)	Weight lb. (kg)	Cv / (Kv)
TC0050	1/2 (15)	3.7 (94)	2.0 (51)	1.8 (46)	0.9 (23)	2.4 (61)	1.6 (.73)	4.1 / (3.5)
TC0075	3/4 (20)	4.2 (107)	2.0 (51)	1.8 (46)	0.9 (23)	2.4 (61)	1.8 (.82)	4.1 / (3.5)

**Notes**

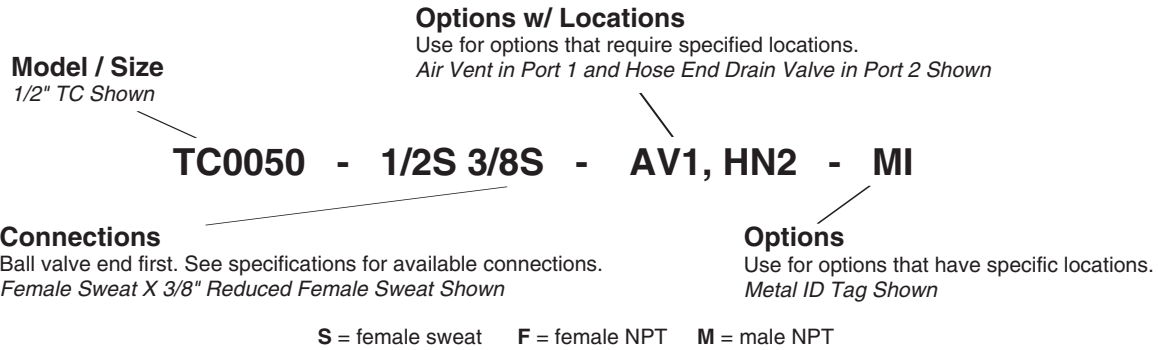
Weights based on F X F connections and will vary with mixed options/connections.  
 All weights based on valves with NPT plugs. Weights and dimensions are subject to minor changes.  
 Cv's based on a clean 20 mesh stainless steel strainer.  
 3/4" FPT available only with adapter (Union side)

**Connections**

Model	Size	Fixed Connections (Inlet)	Union Connections (Outlet)
TC0050	1/2" (15)	1/2" (15) S, F	3/8" (10) S 1/2" (15) S, F, M
TC0075	3/4" (20)	3/4" (20) S, F	3/4" S, M

S = female sweat F = female NPT M = male NPT

**Model Order Designation**



**Options Available**

**AA** Automatic Air Vent  
**AV** Manual Air Vent  
**EH** Extended Handle

**HN** Hose End Drain  
**PI** Plastic ID Tag  
**PL** Plug

**SE** Stem Extender  
**SN** Standard Nipple  
**T2** 1/2" Tap

**XL** One Extended P/T Port  
*Various convenience fittings are available*