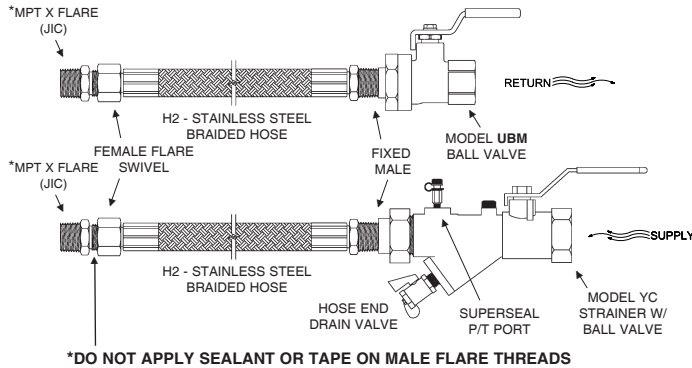
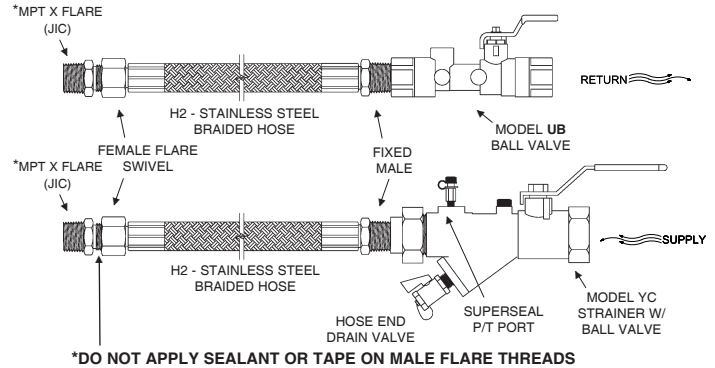


**Kit C-1: 1/2" - 3/4"**



**Kit C-2: 1" - 2"**



**Product Information**

Kit C includes a Model UB/UBM ball valve, Model YC strainer with ball valve and two Model H2/H3 hose assemblies.

**Model UB** is a shut-off valve with large diameter plated ball and Teflon seats. Stem is blowout proof with EPDM O-ring and Teflon packing with packing nut. Ball valve end available thread or sweat – please specify.

**Model YC** is a combination ball valve, y-strainer and union with five (5) accessory port locations. 20 mesh stainless steel strainer is removable from the valve body for inspection and cleaning without breaking the main piping.

**Model UBM** is a shut-off valve with large diameter plated ball and Teflon seats. Stem is blowout proof with EPDM O-ring and Teflon packing with packing nut. Ball valve end available thread or sweat – please specify. (Sizes available 1/2" & 3/4" only)

**Hose** assembly has a braided stainless steel outer band with EPDM inner tube and brass or steel fittings.

*Dimensions not to be used for construction unless prints certified by factory.*

Kit Size	Overall Length - 2 Ft. Kit		Overall Weight Per Kit (lbs.)
	Return	Supply	
1/2"	27"	31"	5
3/4"	27"	31"	7
1"	30"	33"	13
1 1/4"	31"	33"	16
1 1/2"	32"	34"	27
2"	32"	34"	33

**Notes**

Overall length of kit may vary by ± 1" and is provided only as an estimate.

**Disclaimer:** The products, texts, photographs, graphics and diagrams in this submittal may be subject to alteration by Flow Design Inc. without prior notice or reason being given.

Each kit is shipped hand tight unless otherwise stated (see connection charges in F132, VersaFlow Price Guide).

**Bend Radius Specifications**

Hose I.D.	1/2"	3/4"	1"	1 1/4"	1 1/2"	2"
Minimum Bend Radius	2"	2 1/2"	3"	4"	6"	8 1/2"

Never use a bending radius less than the minimum amount shown above.

**Options Available**

- AA Automatic Air Vent
- AV Manual Air Vent
- EH Extended Handle
- HN Hose End Drain Valve with Cap

- MH Micro Handle
- MS Memory Stop
- PI Plastic ID Tag
- PL Plug

- PT Pressure/Temperature Test Ports
- SE Stem Extender
- XL Extended Pressure/Temperature Test Ports

Various convenience fittings are available.